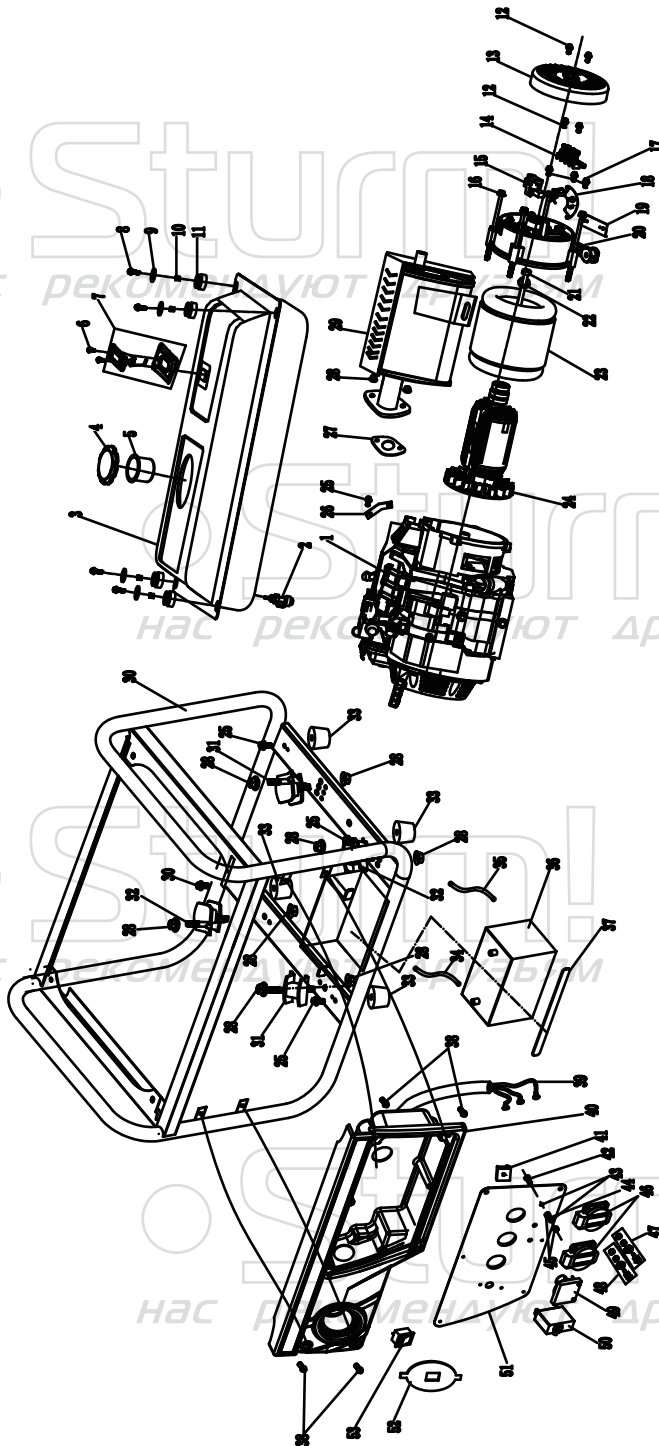


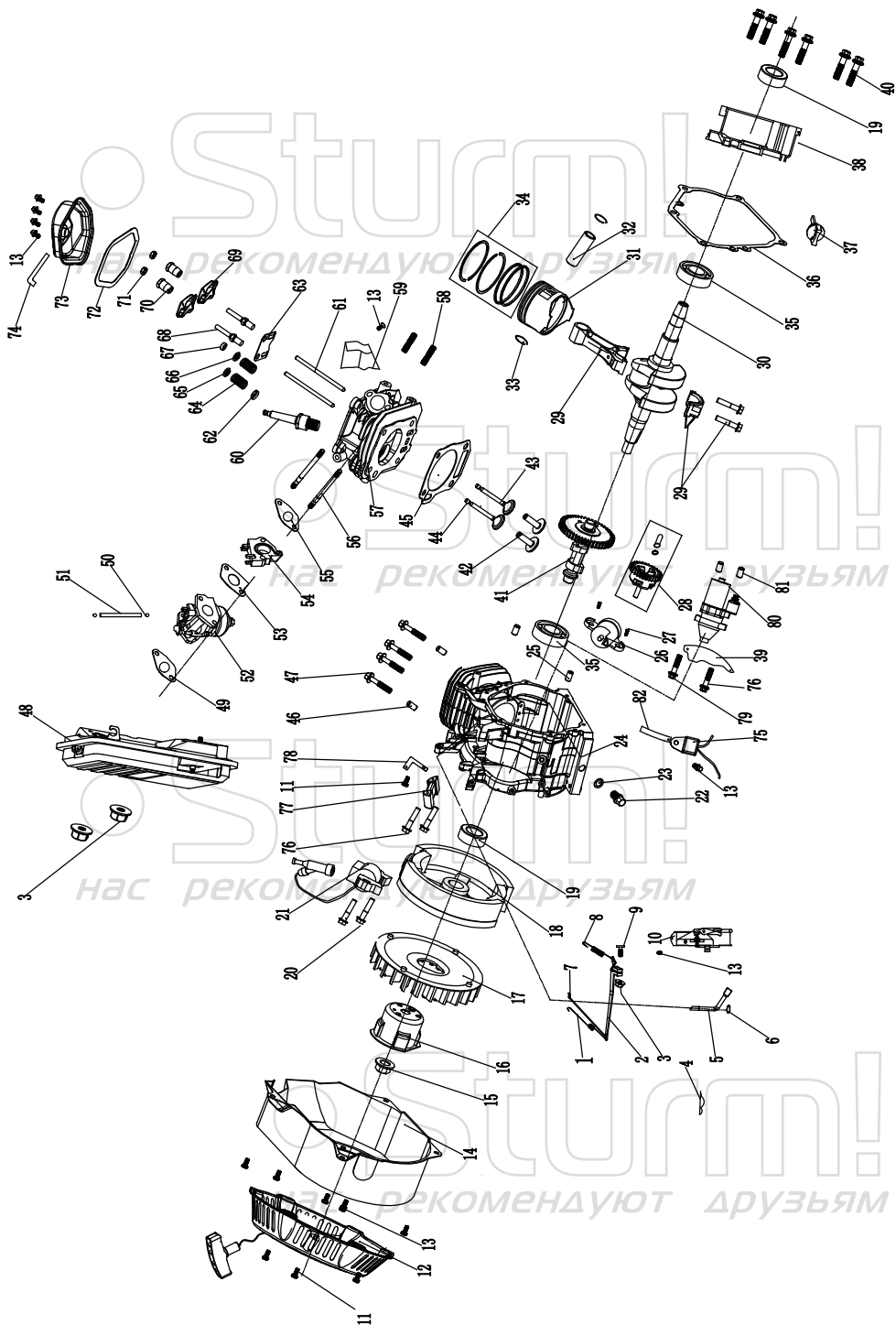
PG8735NE



NO.	DESCRIPTION	SPEC.	NO.	DESCRIPTION	SPEC.
1	GENERATOR POWER		29	MUFFLER	
2	FUEL CONTROL VAVLE		30	FRAME	
3	FUEL TANK		31	SHOCHPROOF FOOT(LEFT)	
4	FUEL TANK CAP		32	SHOCHPROOF FOOT(RIGHT)	
5	FUEL FILTER		33	FRAME DAMPING PAD	
6	CROSS RECESSED COUNTERSUNK HEAD SCREW	M5	34	POSITIVE LINE	
7	FUEL METER		35	NEGATIVE LINE	
8	BOLT	M6	36	BATTERY	
9	FLAT WASHER	Φ6×Φ22×2	37	BATTERY BAND	
10	BUSHING	Φ8.7×Φ12.2	38	BOLT	M6
11	OIL TANK DAMPING RUBBER PAD	Φ12×Φ14×12	39	PANEL CONTROL WIRING HARNESS ASSEMBLY	
12	BOLT	M5	40	PANEL REAL COVER	
13	REAL COVER		41	RECTIFIER BRIDGE	
14	TERMINAL		42	CROSS RECESSED PAN HEAD SCREW	M6
15	CARBON BRUSH		43	STANDARD SPRING WASHER	Φ6
16	STATOR BOLT	M6	44	FLAT WASHER	Φ6.5×Φ12×1.5
17	BOLT	M5	45	TYPE 1 NUT	M6
18	AVR		46	POWER SOCKET ASSEMBLY	
19	ALTERNAOR BRACKET DAMPER BLOCK		47	TERMINAL	
20	ALTERNATOR BRACKET		48	TERMINAL	
21	ROTOR BOLT	M8	49	VOLTMETER	
22	FLAT WASHER	Φ8.5×Φ25×3	50	SINGLE POLE CIRCUIT BREAKER	
23	STATOR		51	CONTROL PANEL BODY	
24	ROTOR		52	CONTROL PANEL BODY (SWITCH BOTTOM PLATE)	
25	BOLT	M6	53	SWITCH ASSEMBLY(ELECTRIC)	
26	AIR FILTER BRACKET				
27	EXHAUST GASKET				
28	NUT				

PG8735NE-EX-CK03P2020001

Sturm!
нас рекомендуют друзьям



ENGINE FOR PG8735NE

NO.	DESCRIPTION	SPEC.	NO.	DESCRIPTION	SPEC.
1	RESET SPRING(THROTTLE VAVLE)		44	INTAKE VAVLE	
2	CONTRLO ASSEMBLY		45	CYLINDER HEAD GASKET	
3	NUT	M6	46	LOCATION PIN	Φ10X16
4	COTTER PIN		47	CYLINDER HEAD BOLT	M8
5	GOVERNOR ARM		48	AIR CLEANER ASSY	
6	GOVERNOR ROD GASKET	Φ6.2XΦ15XΦ0.6	49	GASKET(AIR CLEANER)	
7	GOVERNING PULL ROD		50	CLAMP(FUEL PIPE)	
8	GOVERNING SPRING		51	FUEL PIPE	Φ4XΦ8
9	FIXING BOLT OF SPEED CONTROL BRACKET		52	CARBURETOR	
10	OIL CONTROL SET		53	GASKET(CARBURETOR)	
11	BOLT	M6	54	INSULATION BOARD(CARBURETOR)	
12	RECOIL STARTER		55	AIR INLET GASKET	
13	BOLT	M6	56	DOUBLE-SCREW BOLT	M6
14	WIND SCOOPER		57	CYLINDER HEAD	
15	NUT	M14	58	DOUBLE-SCREW BOLT	M8
16	STARTING PULLEY		59	WIND SCOOPER	20,6
17	FLY WHEEL		60	SPARK PLUG	M8X34
18	FLY WHEEL SET		61	VAVLE LIFTER	
19	OIL SEAL	Φ25XΦ41.25X6	62	OIL SHIELD	
20	BOLT	M6	63	PLATE PUSH GUIDE	
21	IGNITOR COIL		64	VAVLE SPRING	
22	BOLT	M10	65	INTAKE VAVLE SPRING SEAT	
23	GASKET	Φ10XΦ15.8X1.5	66	EXHAUST VAVLE SPRING SEAT	
24	CRANKCASE		67	VALVE ADJUSTING CAP	
25	LOCATION PIN	Φ8X14	68	ROCKER SHAFT BOLT	
26	OIL ALERT		69	VAVLE ROCKER ARM	
27	BOLT	M6	70	NUT	
28	GOVERNOR GEAR SET		71	NUT	
29	CONNECTING ROD		72	CYLINDER HEAD GASKET	
30	CRANKSHAFT		73	CYLINDER HEAD COVER	
31	PISTON		74	WASTE PIPE	
32	PISTON PIN		75	OIL PROTECTOR	
33	CLIP(PISTON PIN)		76	BOLT	M6
34	PISTON RING		77	CHARGING COIL	
35	DEEP GROOVE BALL BEARING		78	CHARGING COIL CLAMP	
36	GASKET(CRANKSHAFT)		79	BOLT	M6
37	OIL GUAGE SET		80	STARTING MOTOR	
38	CRANKCASE COVER		81	LOCATION PIN	Φ8X12
39	UNDER THE COVER		82	WIRE CLAMP	
40	BOLT	M8			
41	CAMSHAFT ASSEMBLY				
42	VAVLE LIFTER				
43	EXHAUST VAVLE				

PG8735NE-EX-CK03P2020001